

# Haugen

## Rod Buckets

877-580-6218

Think Safety

Think Quality

Think Haugen



### Rod Bucket

- Designed for handling rocks and debris
- Tooth Bar with replaceable teeth
- Available sizes 60", 68", & 76"

### Rod Bucket with Grapple

- Designed for handling rocks and brush
- Independant Grapples
- Industrial Cylinders
- Tooth Bar with replaceable teeth
- Available sizes 60", 68", & 76"



Marv Haugen Enterprises Inc.

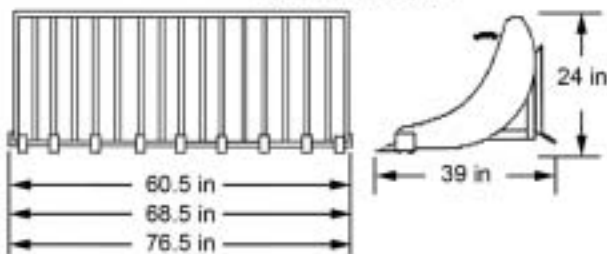
P.O. Box 868 • Casselton, ND 58012 • Phone: 701-347-4827 • Fax: 701-347-4830

Website: [www.equipitnow.com](http://www.equipitnow.com) • E-mail: [haugen@equipitnow.com](mailto:haugen@equipitnow.com)

# Rod Bucket & Grapple Rod Bucket Specifications

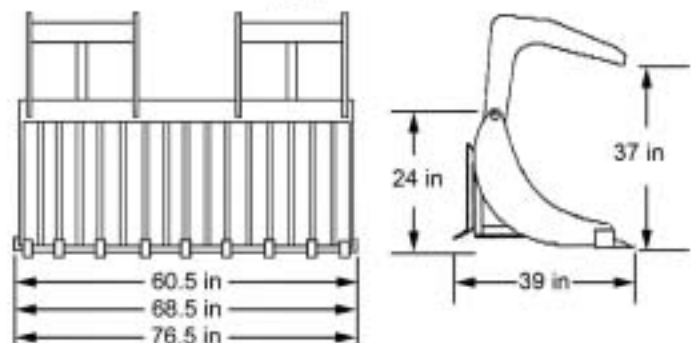
Model	HRB 60	HRB 68	HRB 76	HRDG 60	HRDG 68	HRDG 76
Overall Bucket Width	60.5"	68.5"	76.5"	60.5"	68.5"	76.5"
Depth of Bucket	39"	39"	39"	39"	39"	39"
Height of Bucket Back	24"	24"	24"	24"	24"	24"
Height w/ Grapple Closed	NA	NA	NA	31"	31"	31"
Overall Grapple Width	NA	NA	NA	54.5"	62.5"	70.5"
Grapple Width Each	NA	NA	NA	21.5"	21.5"	21.5"
Grapple Opening	NA	NA	NA	37"	37"	37"
Approx Weight of Attachment	530 lb	600 lb	645 lb	890 lb	940 lb	990 lb
Cutting Edge of 1060 Material	3/4" X 6"	3/4" X 6"	3/4" X 6"	3/4" X 6"	3/4" X 6"	3/4" X 6"
Rod Size	7/8"	7/8"	7/8"	7/8"	7/8"	7/8"
Rod Spacing	3"	3"	3"	3"	3"	3"
Cast Shank Tooth w/Replacement Tip	8	9	10	8	9	10
<b>Cylinder Specifications</b>						
Bore	NA	NA	NA	2.5"	2.5"	2.5"
Stroke	NA	NA	NA	10"	10"	10"
Rod Diameter	NA	NA	NA	1.25"	1.25"	1.25"
Hydraulic Hoses 4500 PSI	NA	NA	NA			
Nylon Hose Protector Sleeves	NA	NA	NA			

## Rod Bucket



- Designed to be used on skid steer loaders with 1300 lb or more lifting capacity.
- Specifications and designs are subject to change without notice.

## Grapple Rod Bucket



# Haugen

Marv Haugen Enterprises  
 602 1st Street N  
 Casselton, ND 58012  
**Toll Free 877-580-6218**  
 Phone: 701-347-4827 Fax: 701-347-4830