

Haugen

Concrete Buckets

877-580-6218

Skid-Steer Concrete Buckets



- Concrete Buckets for Skid-Steer Loaders
- 1/2 Yard Capacity
- Available with a Hydraulic Gate or an Open Gate.



Telehandler Concrete Hoppers

- Fits Rough Terrain Forklifts and Telescopic Lifts
- Choose from a Manual or Hydraulic Gate
- Easily place concrete in hard to reach areas.
- Available in 3/4 yard capacities

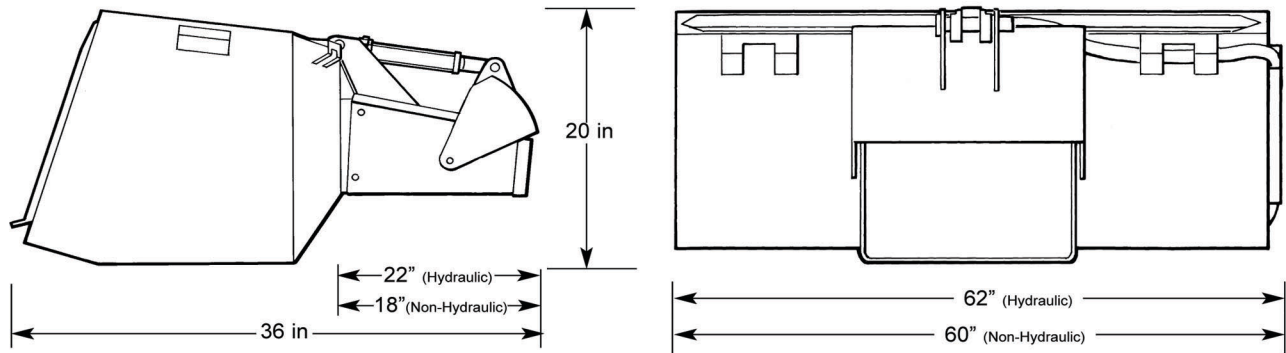
Marv Haugen Enterprises Inc.

P.O. Box 868 • Casselton, ND 58012 • Phone: 701-347-4827 • Fax: 701-347-4830
Website: www.equipitnow.com • E-mail: haugen@equipitnow.com

Concrete Bucket

Specifications

| Model | Non-Hydraulic Chute | Hydraulic Chute |
|----------------------------------------|---------------------|-----------------|
| Capacity | 1/2 Yard | 1/2 Yard |
| Overall Bucket Width | 60" | 62 " |
| Depth of Bucket | 36" | 36 " |
| Height of Bucket | 20" | 20" |
| Approx Weight | 380 lbs | 420 lbs |
| Chute Opening | 12" x 12" | 7 1/2" x 12" |
| Chute Length | 18" | 22" |
| Chute Extension Length | 24" | |
| Chute Funnel Extension Discharge Width | 6" | |
| Cylinder Specification | | |
| Bore | | 2" |
| Stroke | | 8" |
| Rod Diameter | | 1" |
| Hydraulic Hoses 4500 PSI | | |
| Nylon Hose Protector Sleeves | | |



Concrete Hopper

Specifications

| Model | |
|----------------------------------|--------|
| Concrete Hopper Width | 52" |
| Concrete Hopper Length (Overall) | 53" |
| Concrete Hopper Height | 55" |
| Approx Weight of Concrete Hopper | 530 lb |

